

THERMODYNAMIC STEAM TRAP TYPE MXT-111350000

MAIN CHARACTERISTICS

The MXT-111350000 steam trap is a stainless steel thermodynamics steam trap. Of strong and compact strainer construction with incorporated Y filter it is perfectly adapted to the drain of the steam distribution pipes and steam tracing systems. The MXT-111350000 accepts downstream counter pressure until 80 % of the upstream pressure and it is insensible to water hammer. It can also be used on superheated steam and in freezing areas. The maintenance of this type of steam trap is easy.

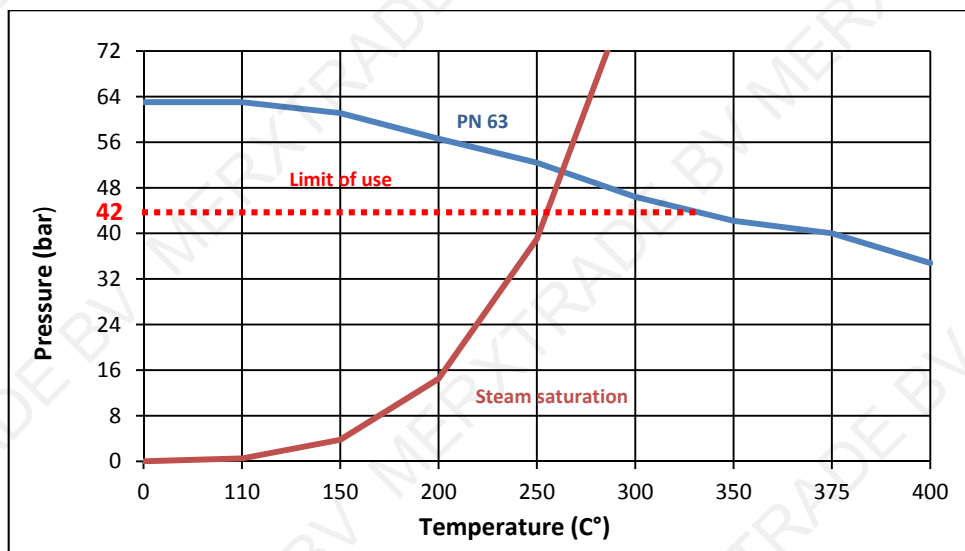


AVAILABLE MODELS

BSP screwed end connections : G 1/2" - G 3/4" - G 1"

LIMITS OF USE

Body calculation pressure	63 bar
Max allowed fluid pressure : PS	42 bar
Maw allowed fluids temperature : TS	+0 °C / +400 °C



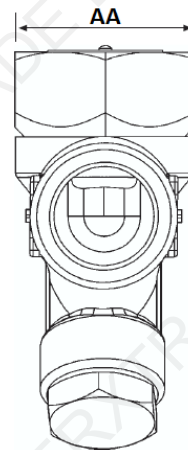
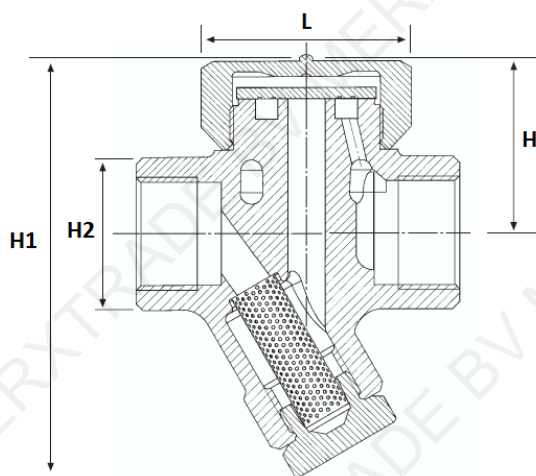
REGULATIONS AND STANDARDS OF CONSTRUCTION

Item	Standard
Pressure equipment directive 97/23	1/2" - 3/4" - 1" : A3 § 3 excluded
Stainless steel materials	EN 1503-1
BSP thread	ISO 228

THERMODYNAMIC STEAM TRAP TYPE MXT-111350000

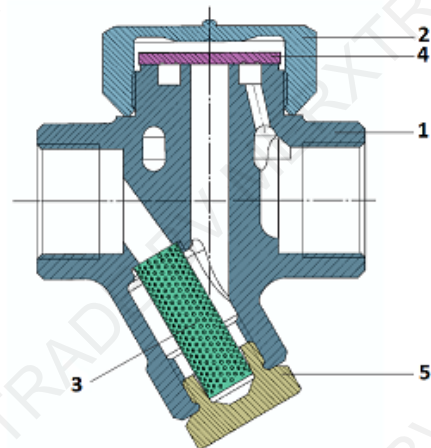
DIMENSIONS (mm) AND WEIGHT (kg)

Size	L	H	H1	H2	AA	Weight (Kg)
1/2"	78	41	95	33	41	0,9
3/4"	90	43	110	39	41	1,2
1"	95	52	124	45	55	1,7



CONSTRUCTION

N°	Item	Material
1	Body	Stainless steel ASTM A743
2	Cover	Stainless steel AISI 304
3	Strainer's screen	Stainless steel AISI 304
4	Disc	Stainless steel AISI 420
5	Drain plug	Stainless steel AISI 304



OPTION

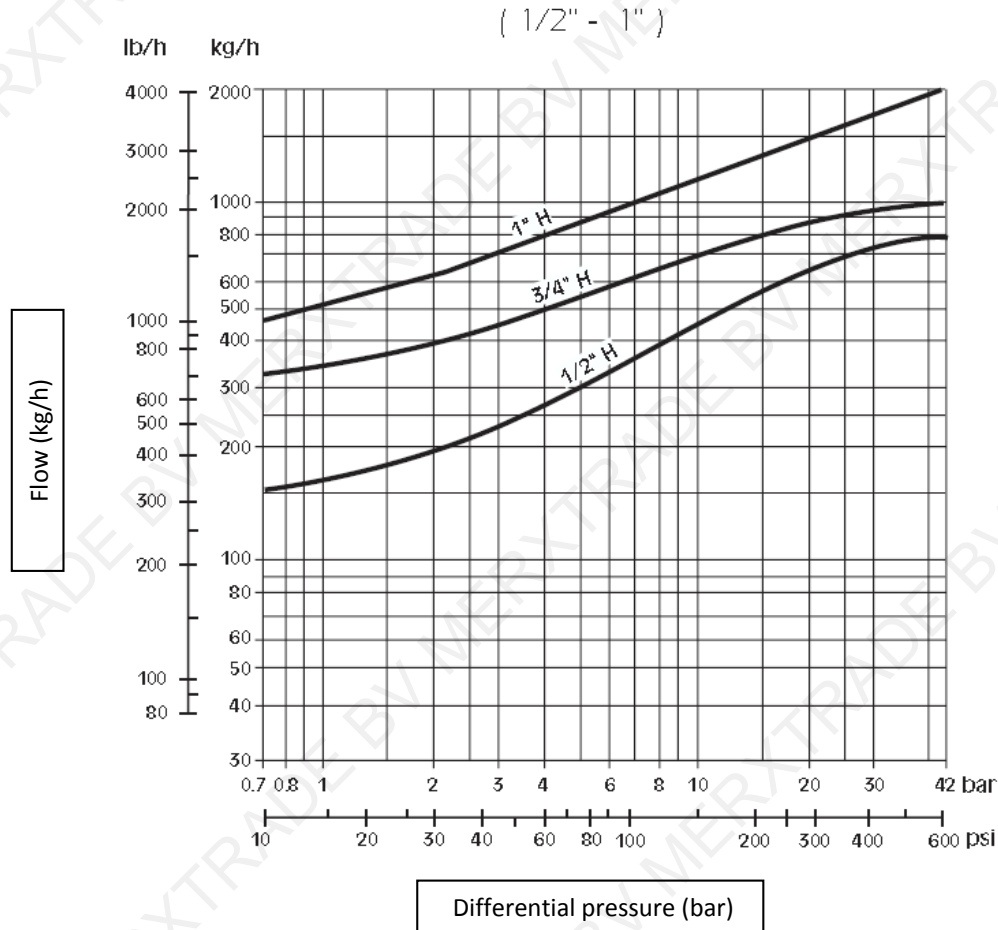
NPT screwed end connections.
SW connections.

SPARE PARTS

Size	1/2"	3/4"	1"
Disc (rep4)	0981264	0981265	0981266
Strainer's screen (rep3)	0981267	0981267	0981267

THERMODYNAMIC STEAM TRAP TYPE MXT-111350000

FLOWRATE DIAGRAM (kg /h)



INSTALLATION

The MXT-111350000 steam trap must be rather settled in the horizontal, but also works in the other positions.

MOUNTING

- 1 - Before any installation, shutt the arrival steam upstream.
- 2 - Depressurize and drain the pipe. Wait for its cooling at room temperature.
- 3 - Screw the steam trap on the piping by using an adapted sealant.
- 4 - Install preferentially the MXT-111350000 with the cover in the horizontal plan.

MAINTENANCE

It is not necessary to remove the steam trap from the pipe to proceed to its maintenance.

- 1 - Close the isolating valve of insulation upstream to the steam trap.
- 2 - Drain away the piping downstream.
- 3 - Make sure of the absence of pressure and of temperature.
- 4 - Unscrew the drain plug (Item 5), remove the strainer's screen (Item 3) from the filter, proceed to its cleaning or replace the strainer's screen following his state. Replace the strainer's screen (Item 3) and re-screw the drain plug (Item 5) the by replacing the gasket.
- 5 - Unscrew the cover (Item 2) and verify the state of the disc (Item 4) in particular the presence of stripes, marking or deformation. Verify the state of the seat. Replace the disc (Item 4) and grind if necessary the seat. Replace the disc (Item 4) and re-screw the cover (Item 2) the by replacing the gasket.